

SERVICE MANUAL

SPLIT TYPE ROOM AIR CONDITIONER CEILING WALL type

Models	Indoor unit	Outdoor unit
	AWY30ABD-W	AOY30AMAH
	AWG30ABD-W	AOG30AMAH

C O N T E N T S

SPECIFICATIONS	1
OUTLINE AND DIMENSIONS	2
REFRIGERANT SYSTEM DIAGRAM	3
CIRCUIT DIAGRAM	4
INDOOR PRINTED CIRCUIT BOARD CIRCUIT DIAGRAM	5
DISASSEMBLY ILLUSTRATION	6
PARTS LIST	21



Большая библиотека технической документации

<https://splitsystema48.ru/instrukcii-po-ekspluatácii-kondicionerov.html>

каталоги, инструкции, сервисные мануалы, схемы.

S P E C I F I C A T I O N S

TYPE	COOL	
INDOOR UNIT	AWY30ABD-W	AWG30ABD-W
OUTDOOR UNIT	AOY30AMAH	AOG30AMAH
COOLING CAPACITY (kW)	8.05 - 8.20	

ELECTRICAL DATA

POWER SOURCE (V)	220 - 240
FREQUENCY (Hz)	50
RUNNING CURRENT (A)	13.3 - 13.6
INPUT WATTS (kW)	2.85 - 3.00
E.E.R. (kW/kW)	2.83 - 2.73
MOISTURE REMOVAL (ℓ/hr)	3.5
AIR CIRCULATION-Hi (m³/hr)	950

COMPRESSOR

TYPE	Hermetic type, Deposit electrode condenser, 2 poles, Single phase, Induction motor, Rotary	
CODE	NH52VNHT	
REFRIGERANT R-22 (g)	2,300	

FAN MOTOR

POWER SOURCE (V)	220 - 240	
INDOOR UNIT	TYPE	MFD-30HO
	HI-SPEED (r.p.m.)	1,380
	MED-SPEED (r.p.m.)	1,280
	LO-SPEED (r.p.m.)	1,180
OUTDOOR UNIT	TYPE	MFB-30DFT
	(r.p.m.)	730

DIMENSIONS

INDOOR UNIT	H x W x D (mm)	270 x 1,150 x 285
OUTDOOR UNIT		900 x 900 x 350

WEIGHT

INDOOR UNIT	GROSS / NET (kg)	20 / 16
OUTDOOR UNIT		91 / 79

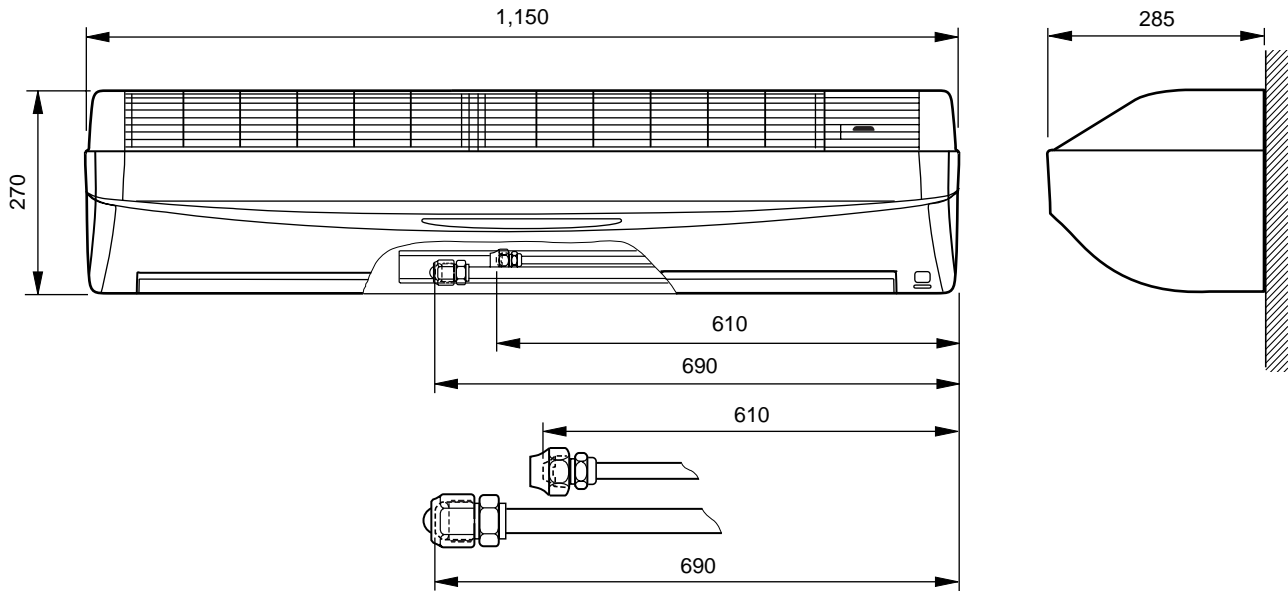
REFRIGERANT CHARGE (R-22)

MODELS		PIPE LENGTH							Additional refrigerant
		5 m (16 ft)	7.5 m (25 ft)	10 m (33 ft)	15 m (49 ft)	20 m (66 ft)	25 m (82 ft)	30 m (98 ft)	
FULL CHARGE AMOUNT	AWY30ABD-W	2,300 g (81.1 oz)	2,350 g (82.9 oz)	2,450 g (86.4 oz)	2,550 g (89.9 oz)	2,650 g (93.5 oz)	2,750 g (97.0 oz)	20 g (0.71 oz)/1 m (3.3 ft) (over 7.5 m)	
	AWG30ABD-W								

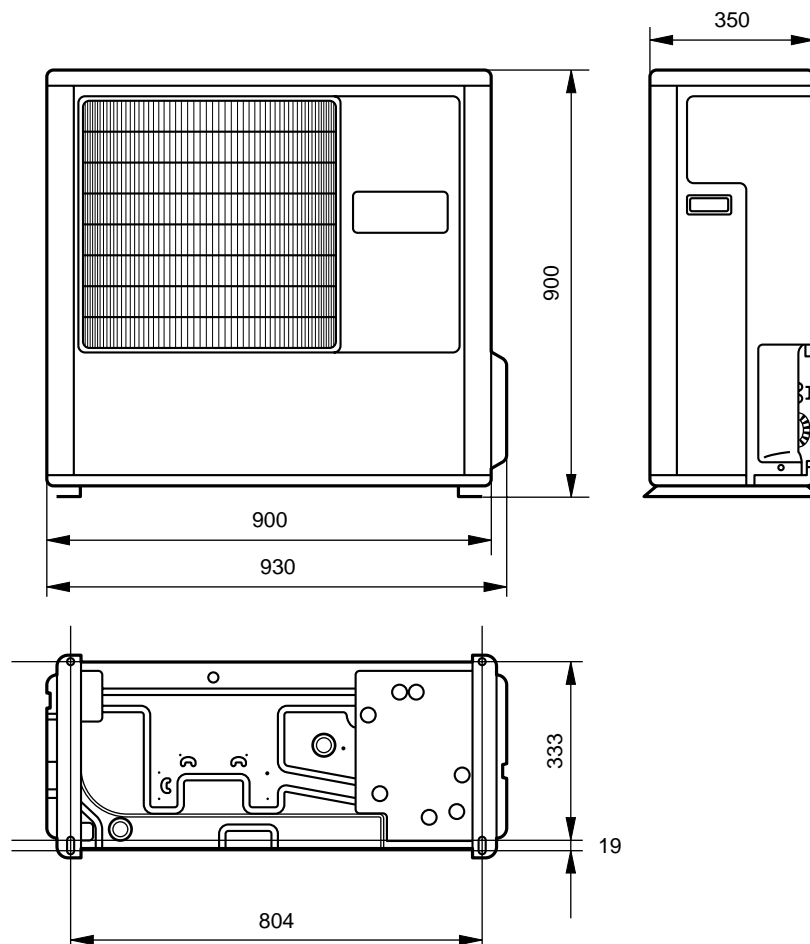
OUTLINE AND DIMENSIONS

Models : AWY30ABD-W
AWG30ABD-W

Unit : mm

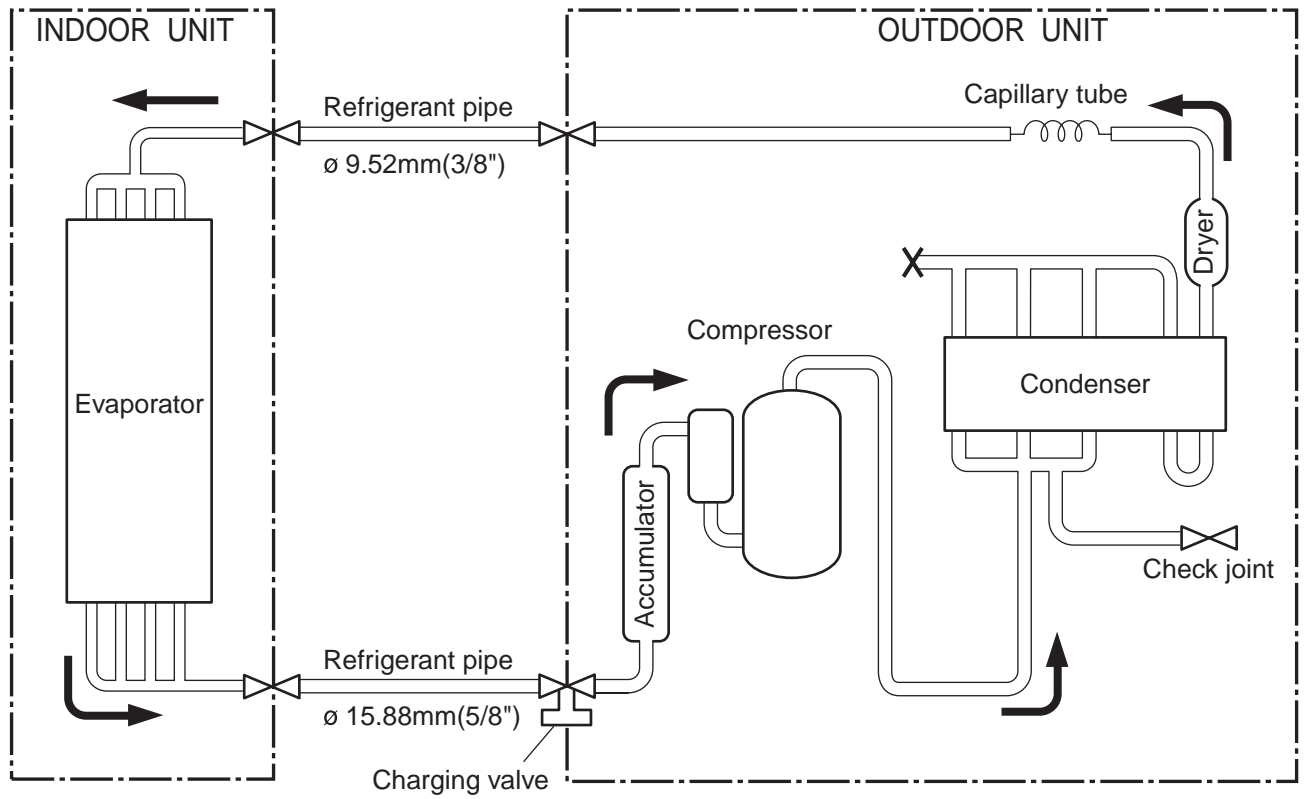


Models : AOY30AMAH
AOG30AMAH



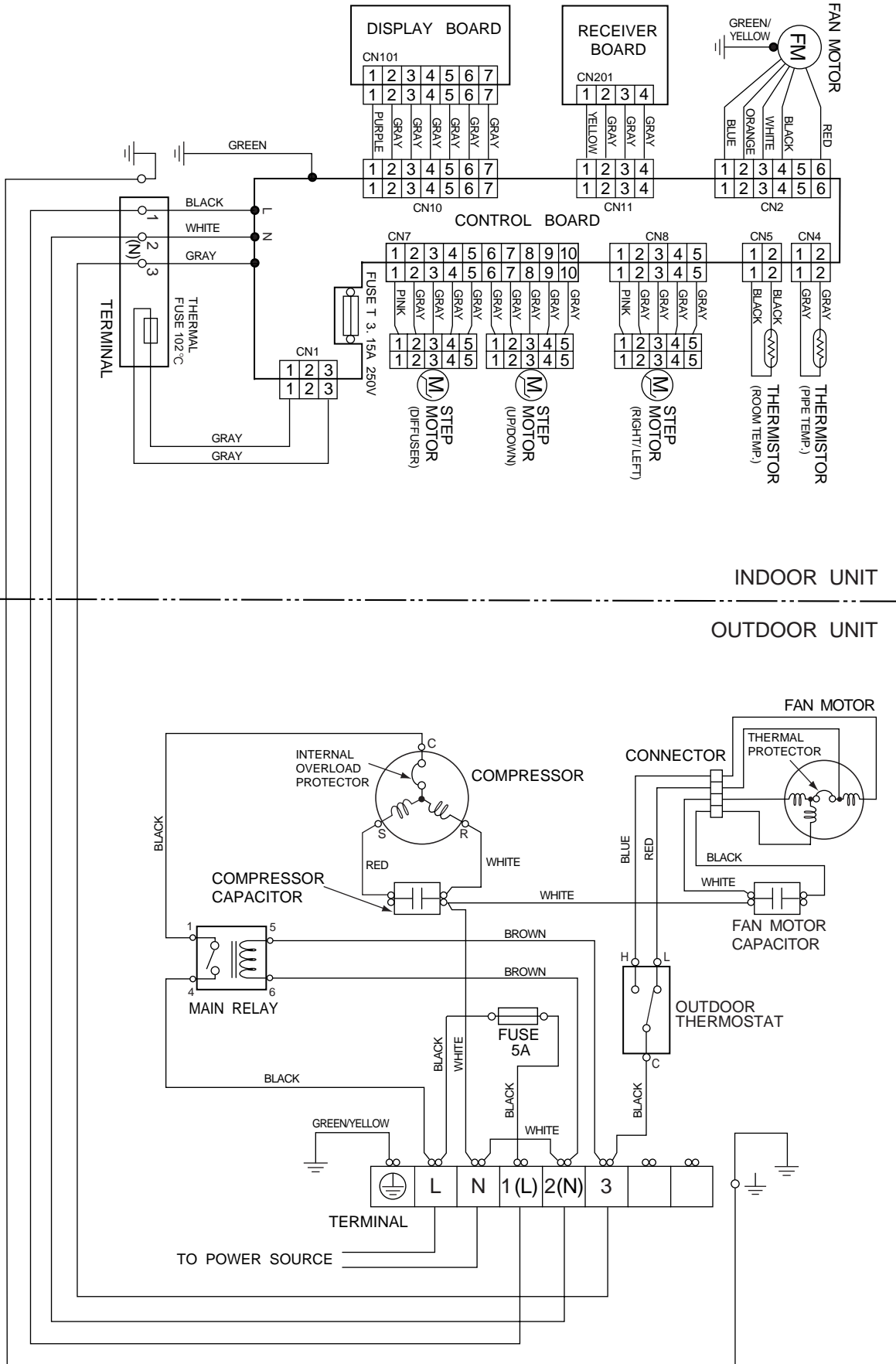
REFRIGERANT SYSTEM DIAGRAM

Models : AWY30ABD-W / AOY30AMAH
AWG30ABD-W / AOG30AMAH



CIRCUIT DIAGRAM

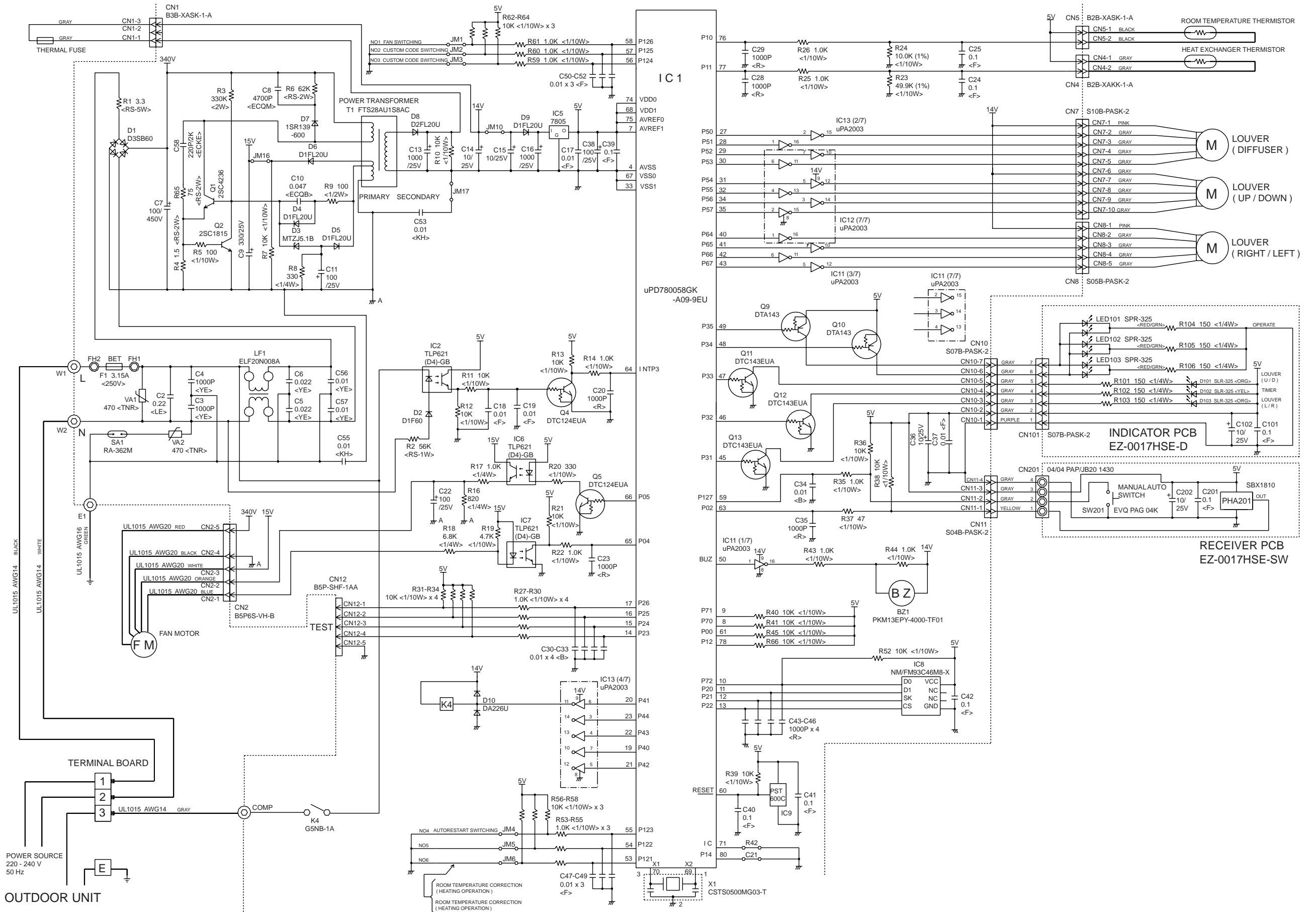
Models : AWY30ABD-W / AOY30AMAH
 AWG30ABD-W / AOG30AMAH



INDOOR PRINTED CIRCUIT BOARD CIRCUIT DIAGRAM

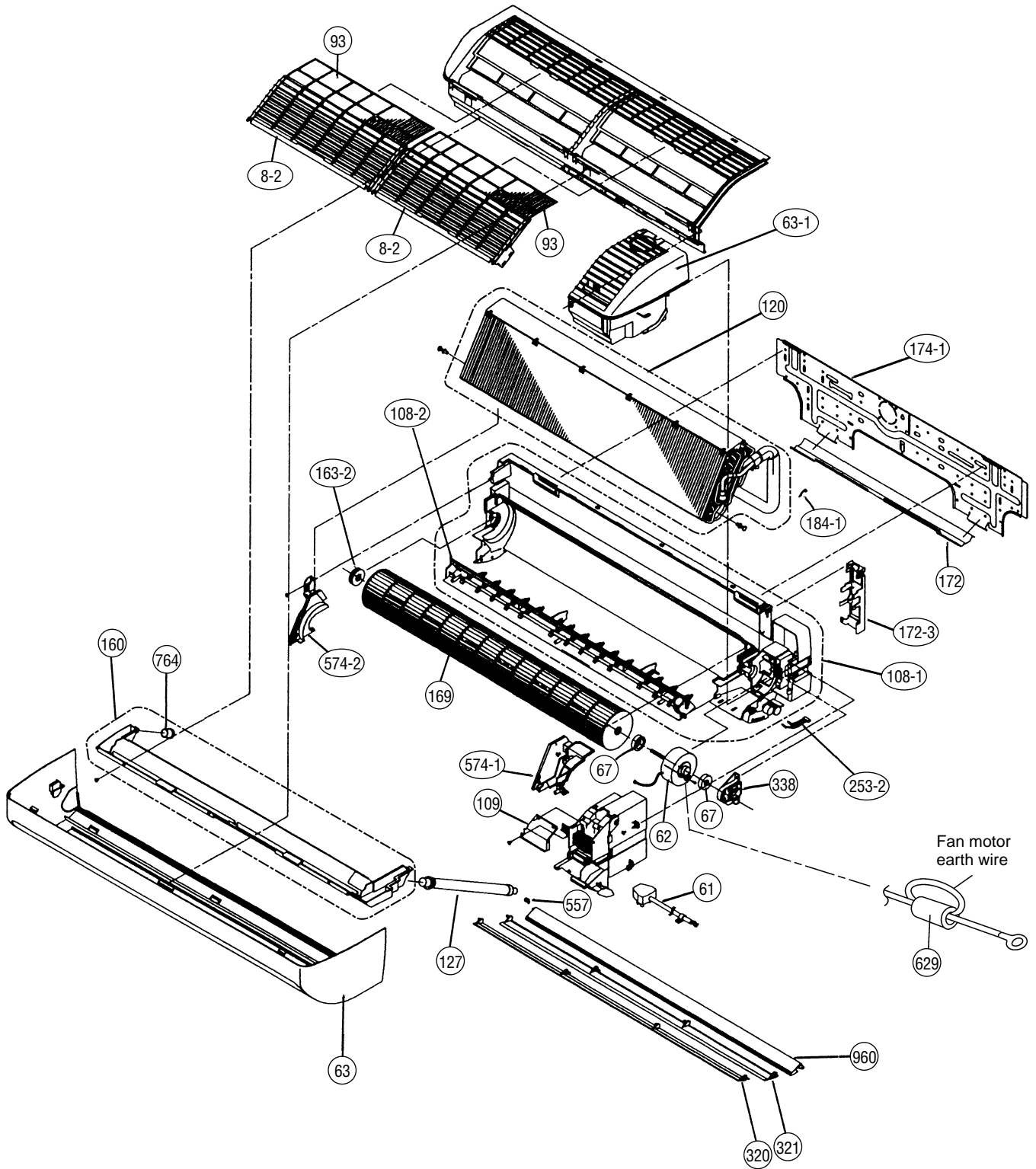
**Models : AWY30ABD-W
AWG30ABD-W**

**CONTROLLER PCB ASSEMBLY (MAIN PCB)
EZ-001KWSE-C**

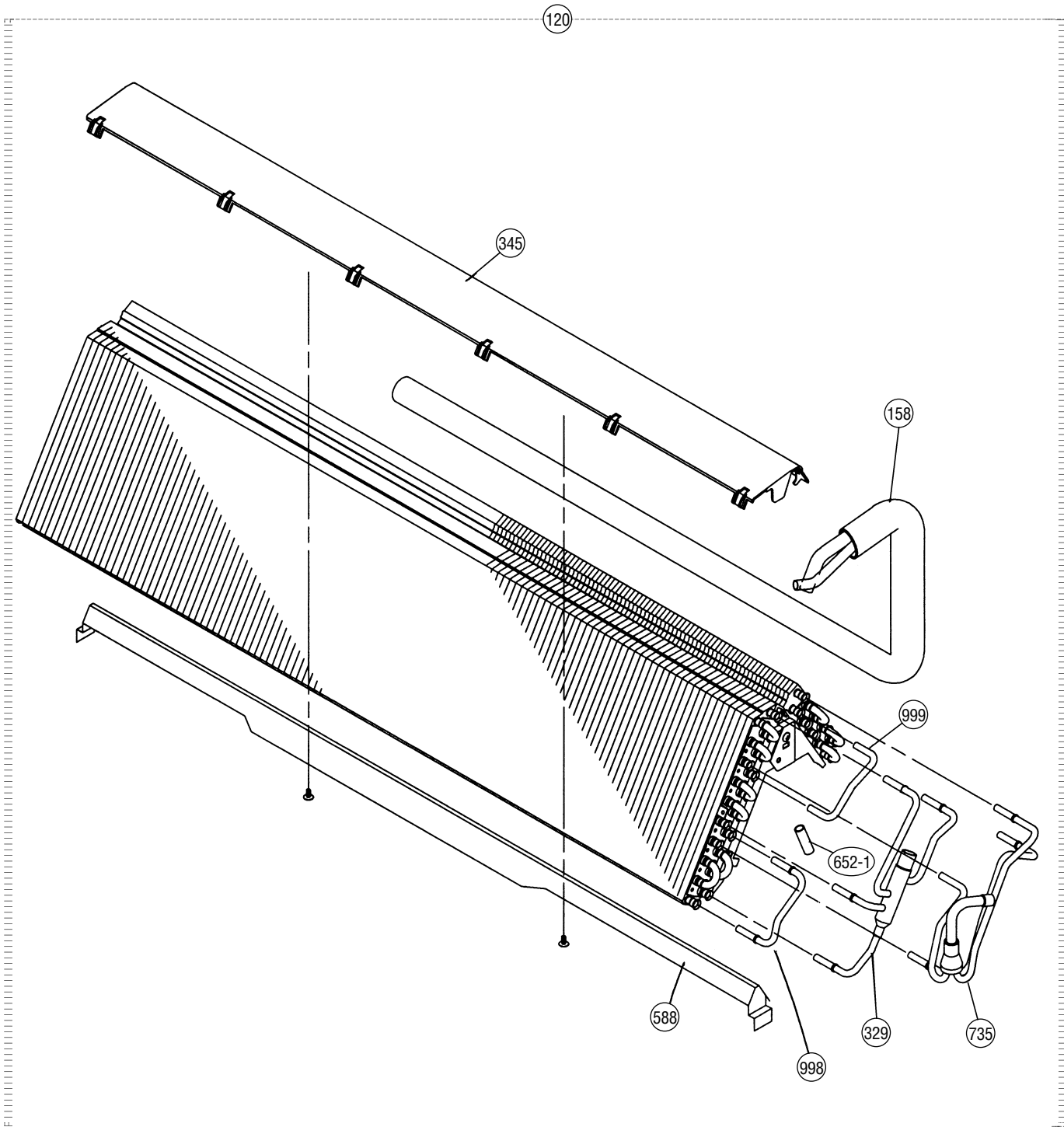


DISASSEMBLY ILLUSTRATION

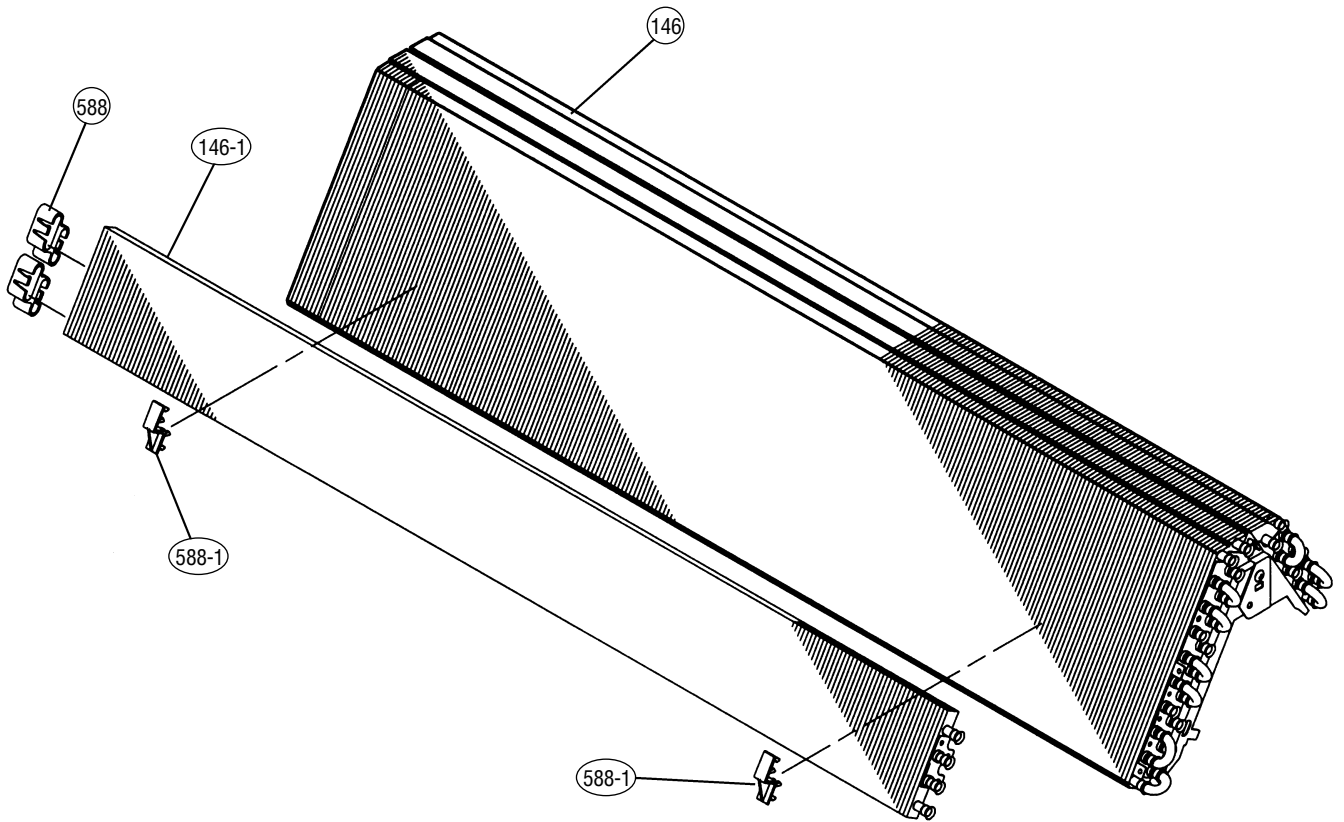
Models : AWY30ABD-W
AWG30ABD-W

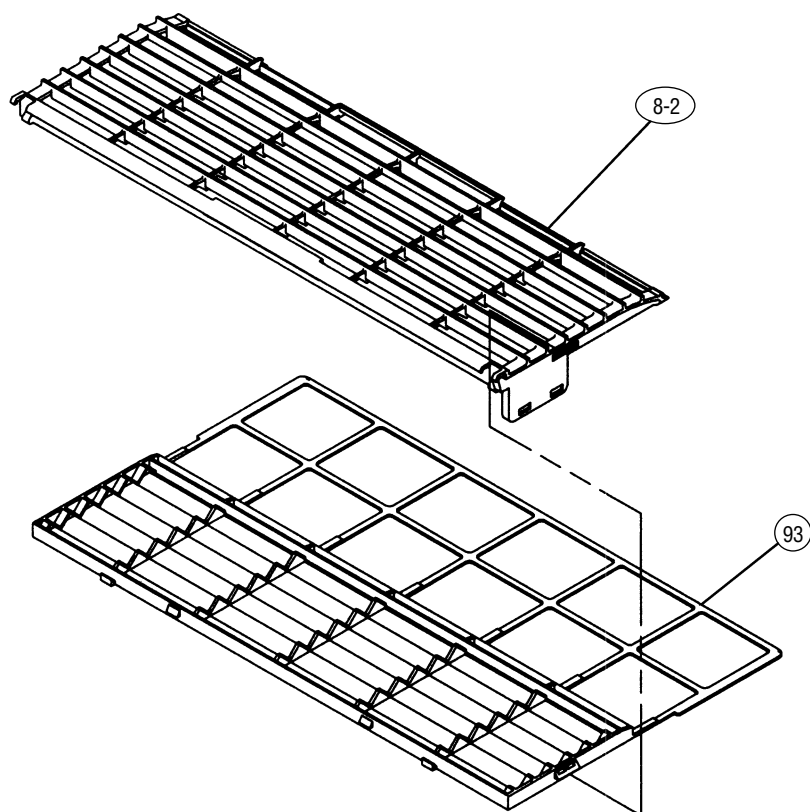


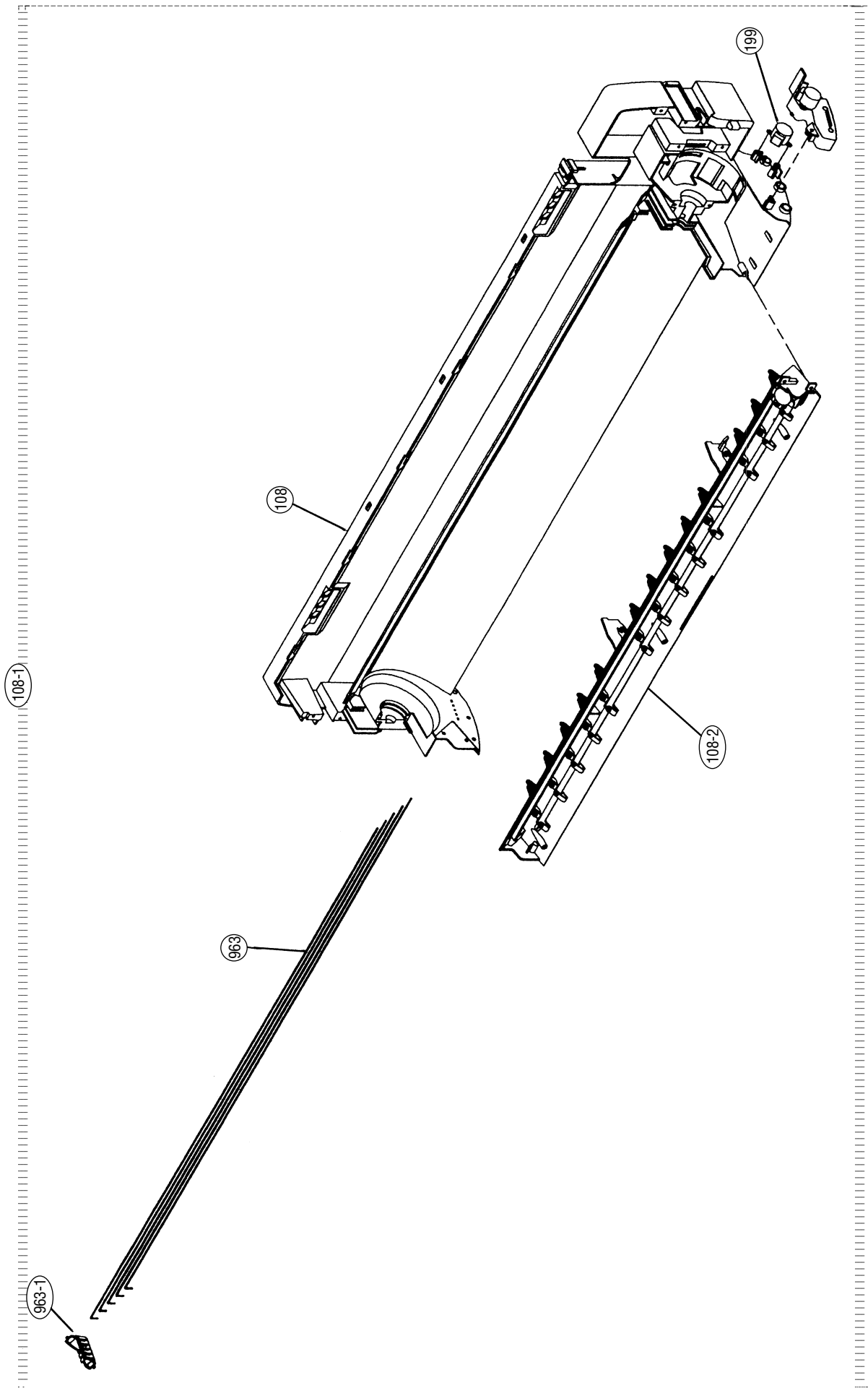
Models : AWY30ABD-W
AWG30ABD-W

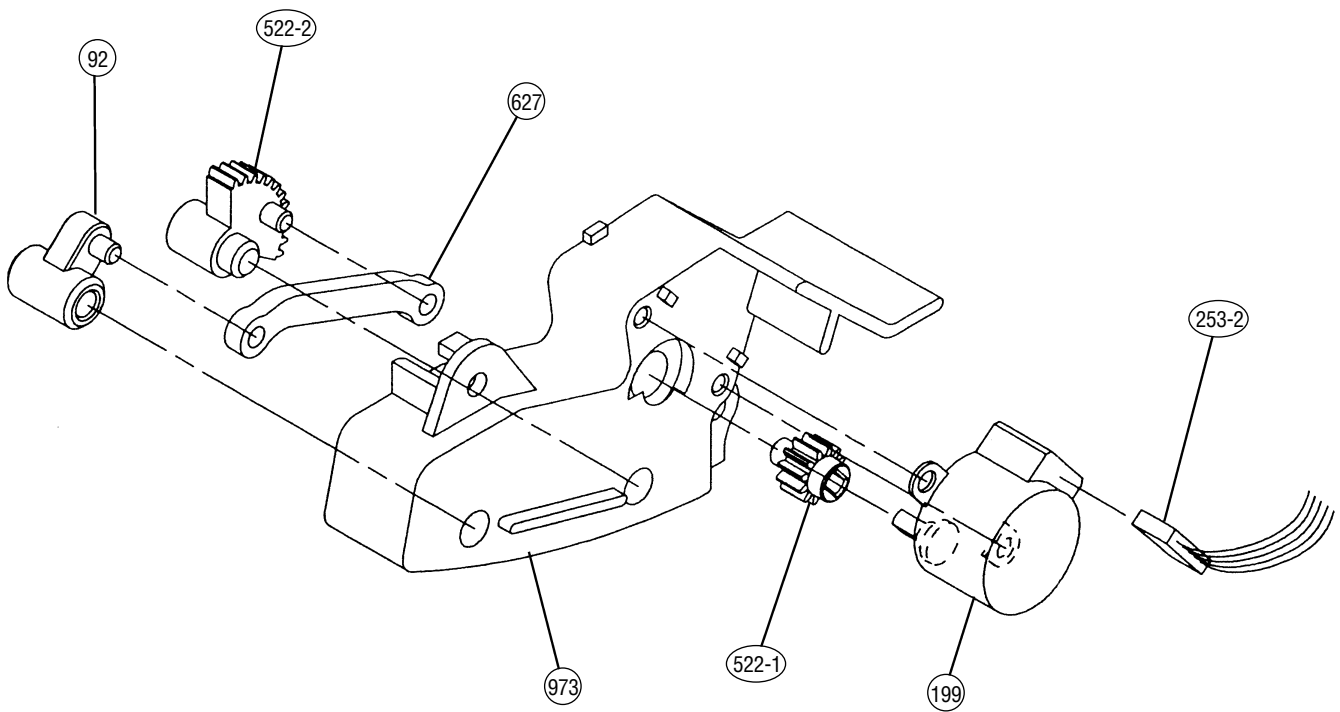


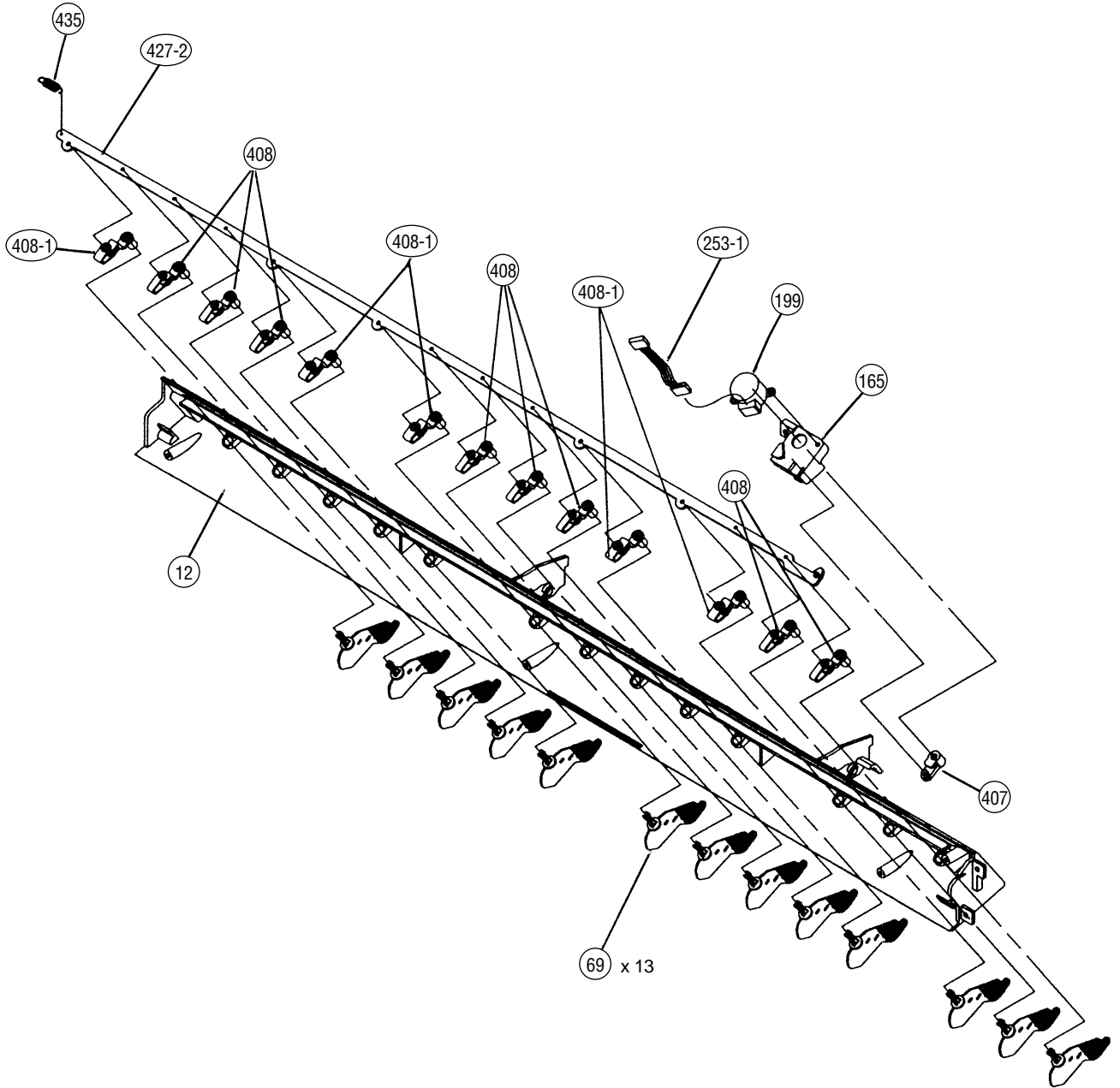
Models : AWY30ABD-W
AWG30ABD-W

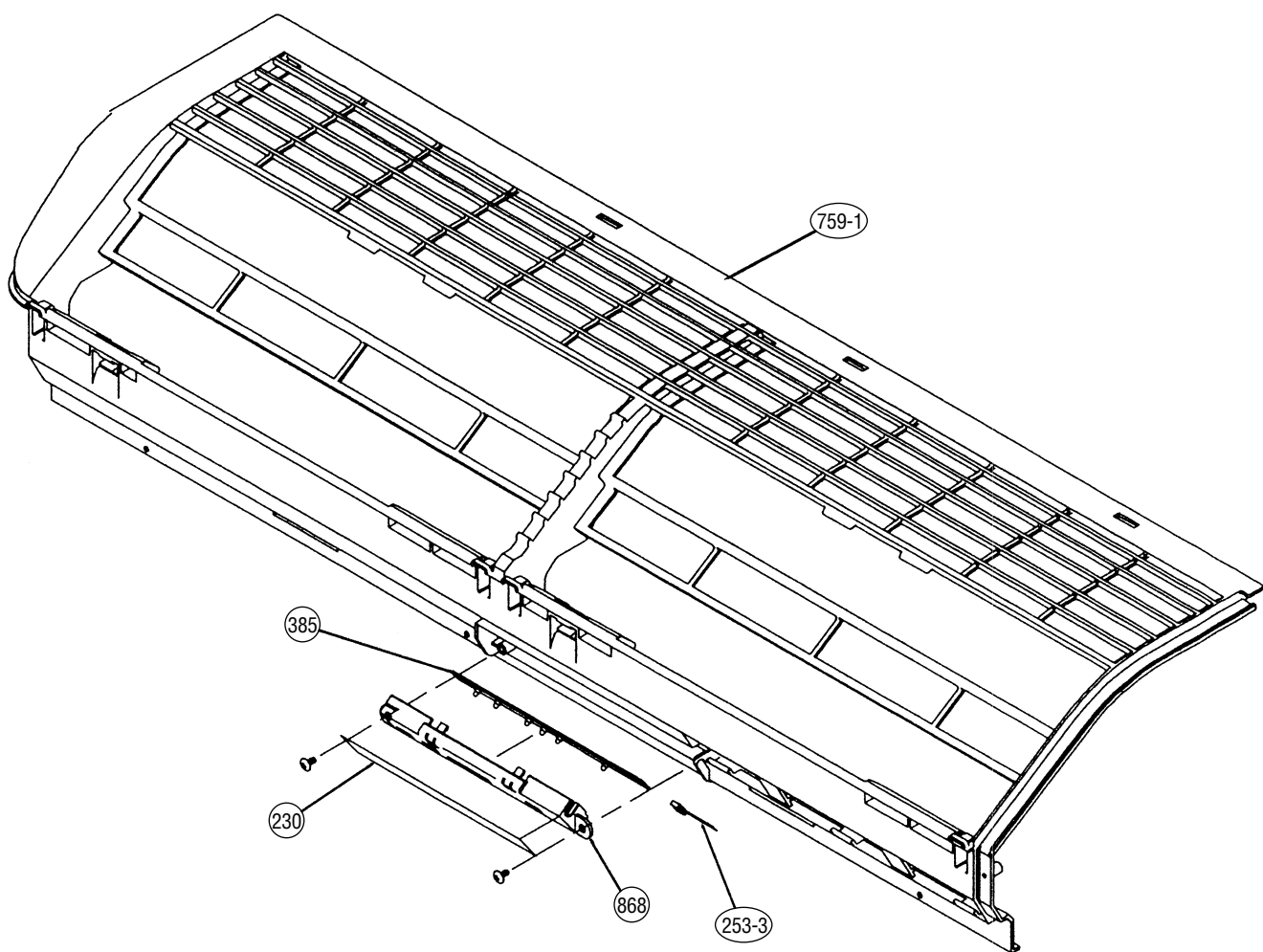


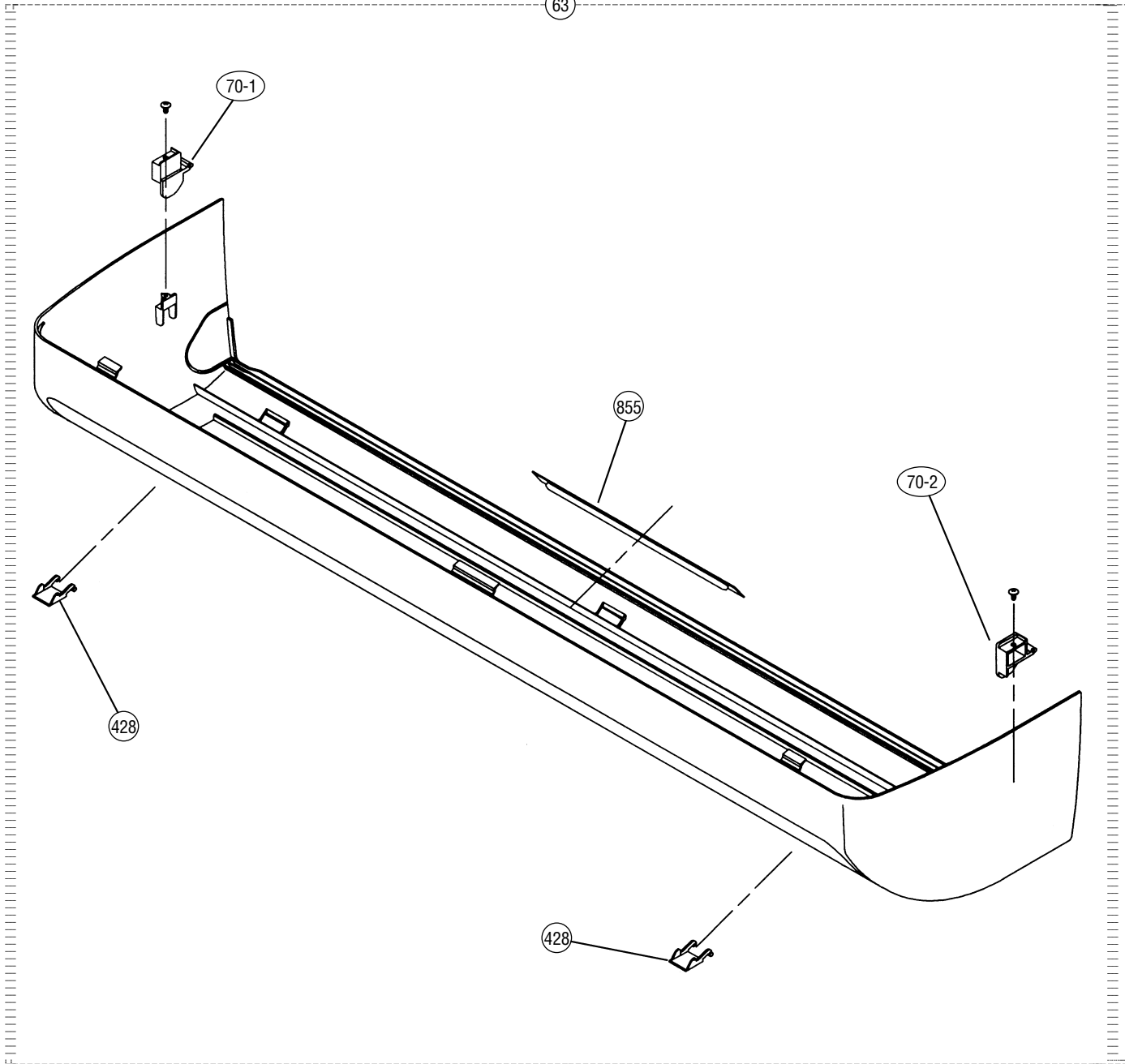


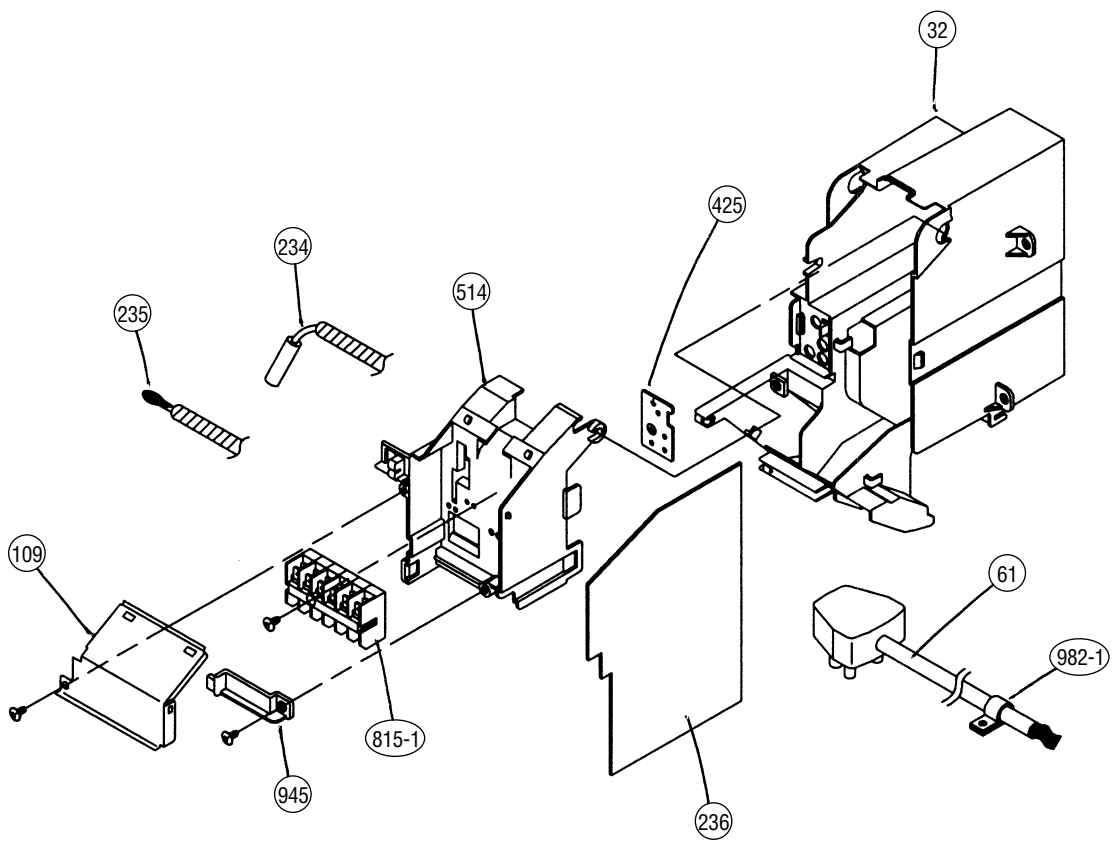




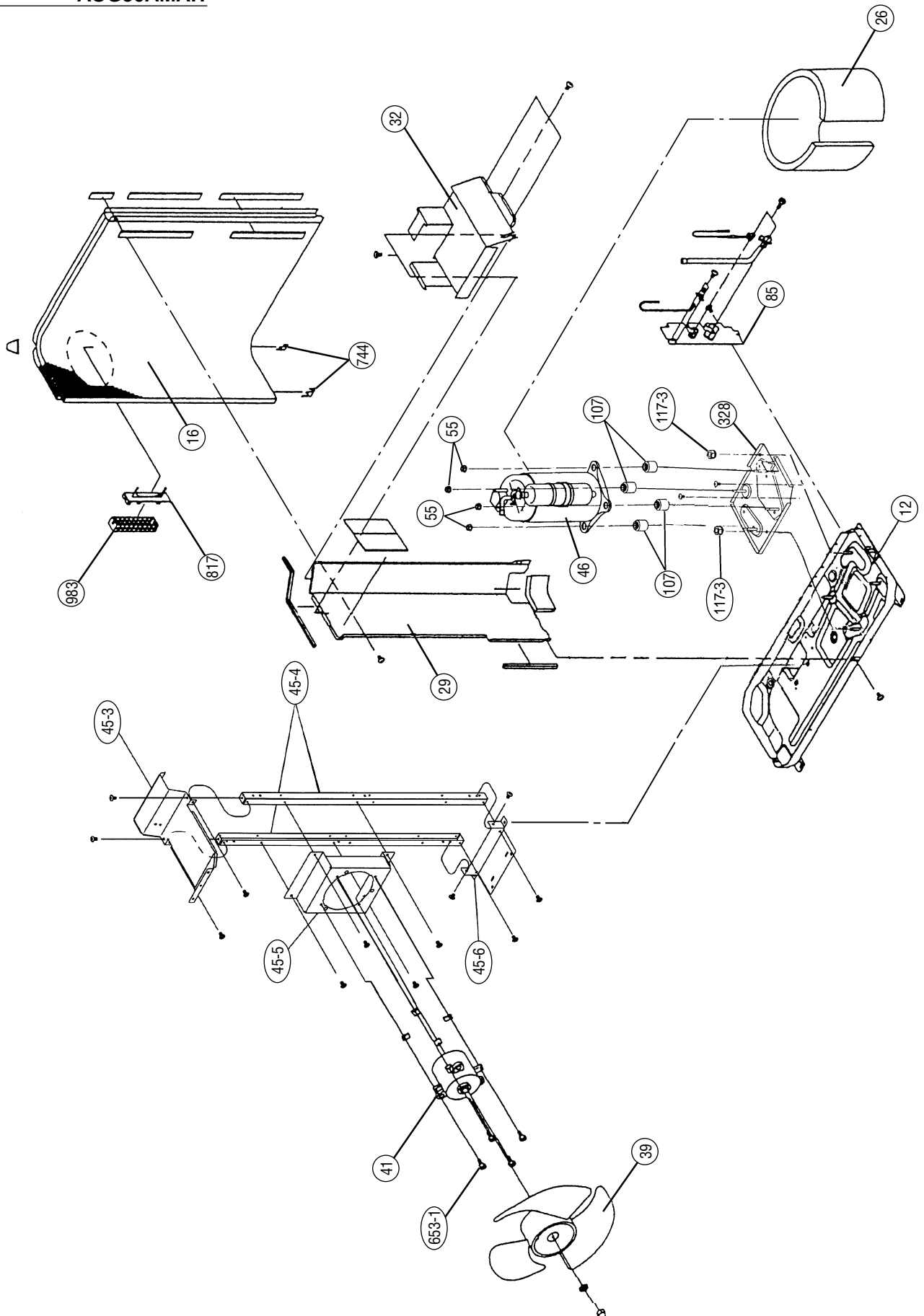




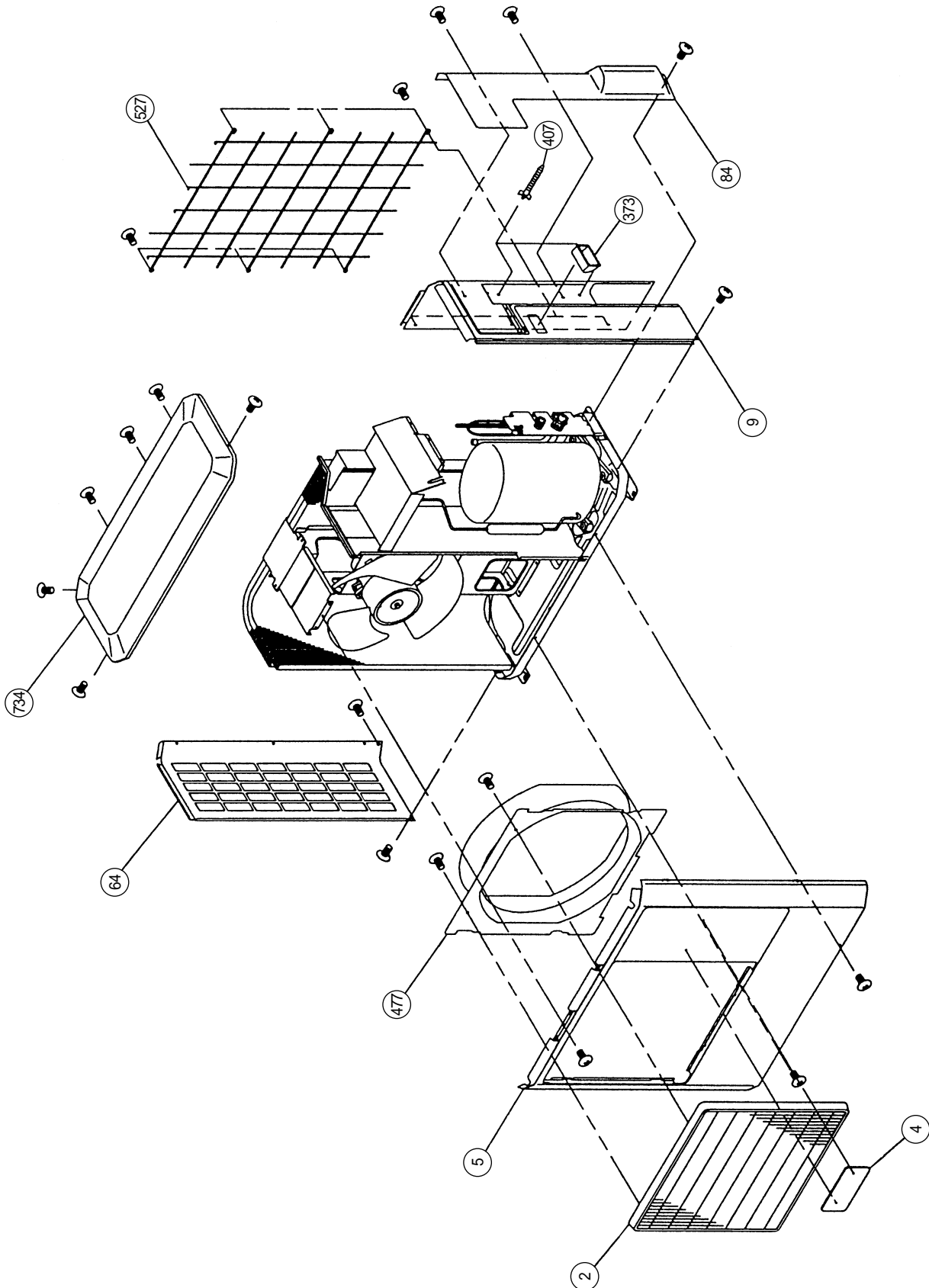




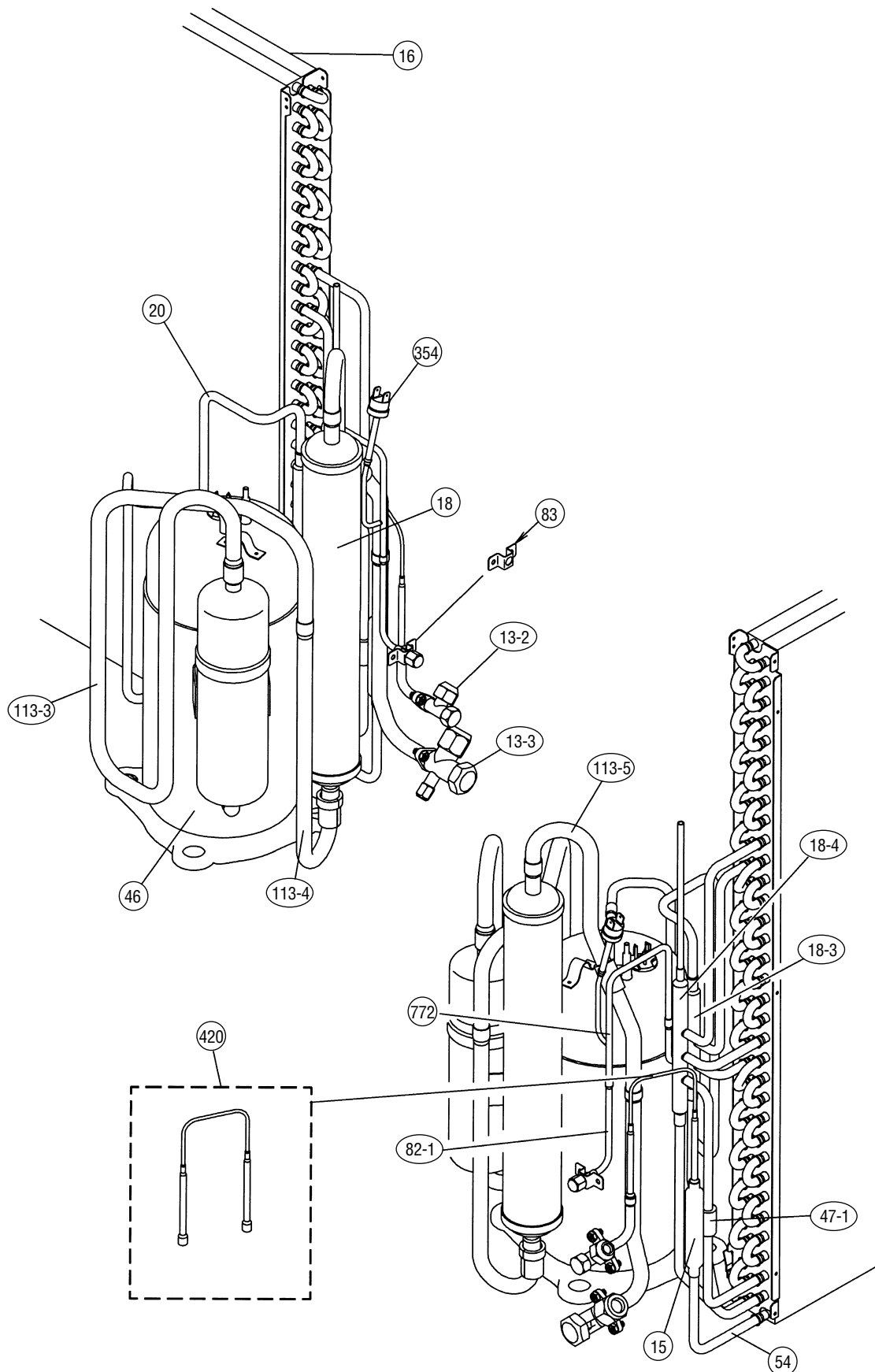
Models : AOY30AMAH
AOG30AMAH



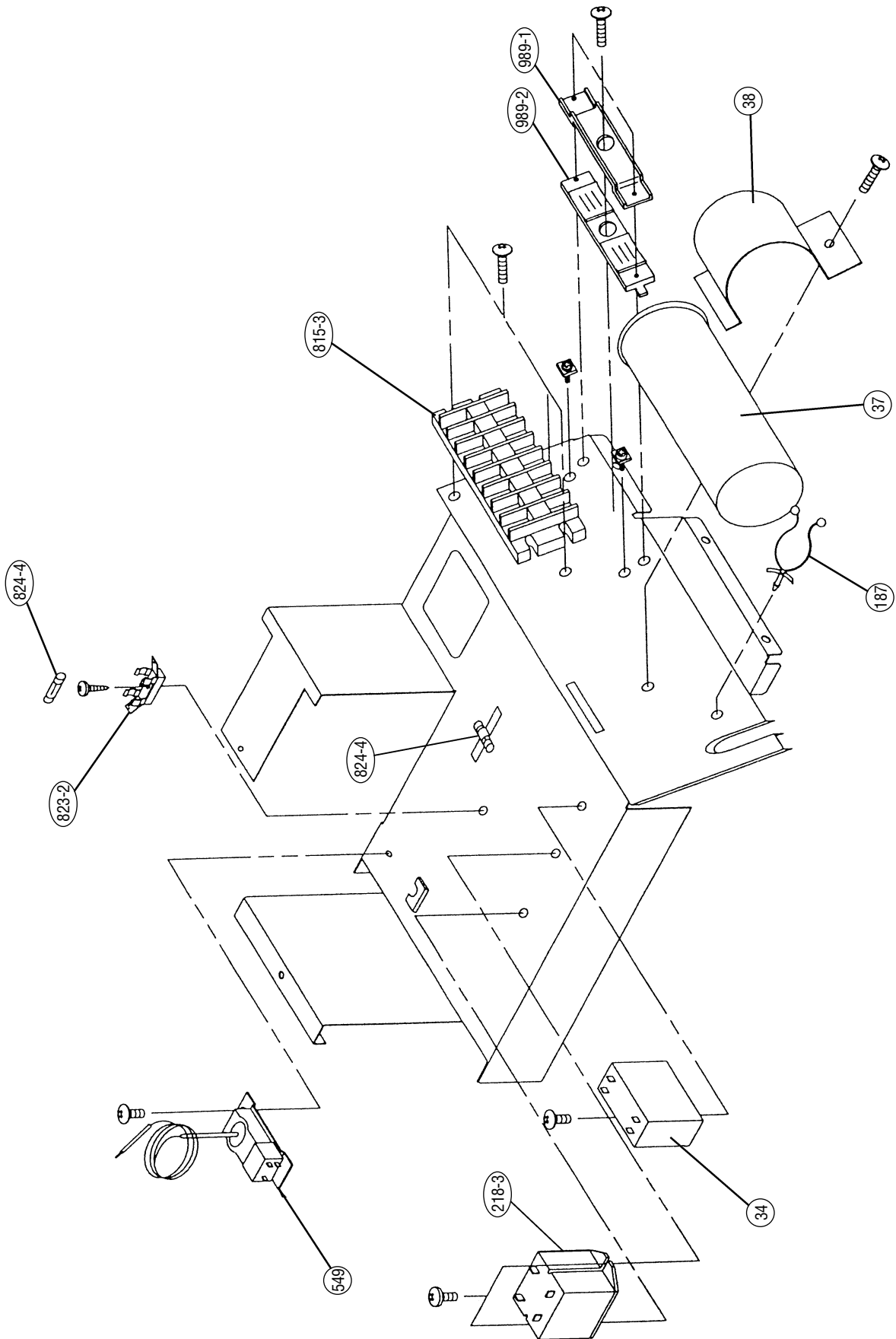
Models : AOY30AMAH
AOG30AMAH



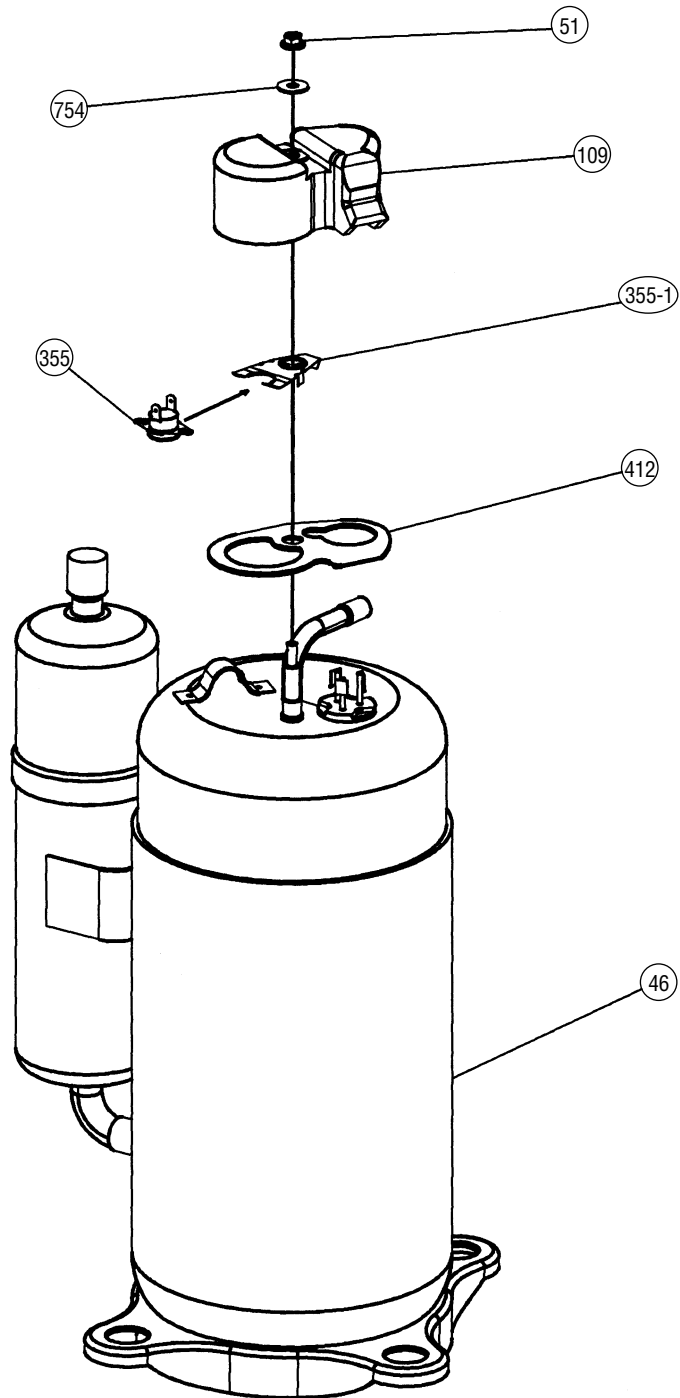
Models : AOY30AMAH
AOG30AMAH



Models : AOY30AMAH
AOG30AMAH



Models : AOY30AMAH
AOG30AMAH



PARTS LIST

INDOOR UNIT

When you order parts, please make a photocopy of this page and fill the number of the parts in the "Order" column.

Ref. No.	Description	Part No.		Ord. Q'ty	Ref. No.	Description	Part No.		Ord. Q'ty
		AWY30ABD-W	AWG30ABD-W				AWY30ABD-W	AWG30ABD-W	
8-2	Filter Frame	9367681013			253-3	Wire With Connector	9704433015		
12	Base-B	9368216016			320	Upper Flap	9367688012		
32	Control Box	9367663002			321	Lower Flap	9367689019		
45	Bracket (Eva.) Assy	9369317019			329	Coupling Pipe Assy	9369136009		
62	Fan Motor-Inner	9601385011			338	Motor Holder	9367798001		
63	Front Cover Assy (AWY)	9369194016			345	KIT (Filter Guide)	9371130019		
63	Front Cover Assy (AWG)	9369194023			385	Indicator PCB Assy	9704368010		
63-1	Service Cover Assy	9368837013			407	Motor Link	9367696000		
67	Rubber (Motor)	9367676002			407-2	Louver Rod	9367698004		
69	Louver	9367706013			408	Louver Link	9367697007		
70-1	Hook (Cover)-L	9367675012			408-1	Louver Link-B	9368789008		
70-2	Hook (Cover)-R	9367674015			425	Earth Plate	9368017002		
92	Link Arm	9367694006			428	Screw Cover	9367717019		
93	Filter	9367680016			435	Louver Spring	9369030000		
108	Base	9367683017			514	Control Box Cover	9367664009		
108-1	Base Assy	9368829018			522-1	Gear-A	9367691005		
108-2	Base-B Sub Assy	9368843014			522-2	Gear-B	9367692002		
109	Terminal CVR	9368022006			557	Spring (Diffuser)	9368824006		
120	Eva. Sub Assy	9368832087			574-1	Eva Support-R	9367684007		
122	Rub (Bearing) Assy	9368998004			574-2	Eva. Support-L	9367685004		
127	Drain Hose	9367695003			588	Eva. Holder	9367711000		
146	Evaporator Assy	9370610000			588-1	Eva. Holder-B	9368783006		
146-1	Evaporator Assy-B	9369124006			627	Link	9367693009		
158	Joint Pipe Assy	9369144004			629	EMI Filter	0400056133		
160	Drain Pan Assy	9368835019			652-1	Thrm. Holder Pipe	313806262805		
165	Motor Box	9367718009			735	Distributor Assy	9369127007		
169	Cross Fan Assy	9367708000			743	Remote Control Holder	9305642014		
172	Pipe Bracket	9367844005			759-1	Intake Cover	9367678013		
172-3	Pipe Holder	9367687008			764	Drain Cap	9367677009		
174-1	Fixing Plate	9367987009			815-1	Terminal-3p	9306489090		
184-1	Thermo. Spring-A	313728262708			855	Display-F (AWY)	9367672011		
199	Stepping Motor	9900020019			855	Display-G (AWG)	9367673018		
230	Diffusion Sheet	9368006013			868	PWB Holder (Display)	9367679003		
234	Thermistor Assy-Room	9703299148			875	PCB Assy-Switch	9704370013		
235	Thermistor Assy-Pipe	9703297038			945	Wire Holder	9368016005		
236	Controller PCB Assy	9704457059			960	Diffuser Assy	9368840013		
240	Remote Control Unit	9371190020			963	Fanguard	9368015008		
253-1	Wire With Connector	9704434012			963-1	Fanguard Holder	9367707003		
253-2	Wire With Connector	9704435019			973	Gear Box	9367690008		

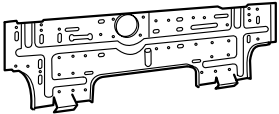
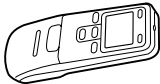
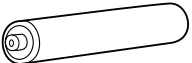
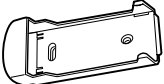
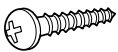

OUTDOOR UNIT

When you order parts, please make a photocopy of this page and fill the number of the parts in the "Order" column.




Ref. No.	Description	Part No.		Ord. Q'ty	Ref. No.	Description	Part No.		Ord. Q'ty
		AOY30AMAH	AOG30AMAH				AOY30AMAH	AOG30AMAH	
2	Fan Cover (Guard)	9371187013			83	Check Joint Bracket	9359807018		
4	Emblem-Rear "FUJITSU" (AOY)	9371388014			84	Valve Cover	9359817017		
4	Emblem-Rear "GENERAL" (AOG)	313791088308			85	Valve Fixing Plate	9359806011		
5	Cabinet-A, Painted	9359797029			107	Rubber Mount	9362368001		
9	Cabinet-B, Painted	9359798026			109	Terminal Cover	9391513010		
12	Base Assy, Painted	9359813019			113-3	Suction Pipe A	9369065002		
13-2	Packed Valve (3/8)	9360150004			113-4	Suction Pipe B	9369066009		
13-3	3-Way Valve (5/8)	9360157003			117-3	Hex. Nut w/Sp. Washer	301721180114		
15	Dryer	9368111014			139	Wire Assy (Compressor)	9370945058		
16	Condenser Assy	9353455093			187	Clamp No. 1219	313361271706		
18	Accumulator	9385005006			218-3	Power Relay	9900074012		
18-3	Inlet Pipe (Condenser) Assy	9369048005			328	Comp Plate Assy	9362273046		
18-4	Outlet Pipe (Condenser) ASSY	9369054006			354	Pressure Switch	9370941005		
19	Capillary Tube	9369063008			355	Thermal Switch	9371516011		
20	Discharge Pipe	9369047008			355-1	Holder	9371554013		
26	Compressor Cover	9371501017			373	Grip	9352157004		
29	Separate Wall	9359804017			407	Clamp (Cable) No. 1259	313739340109		
32	Control Box Metal	9359839019			412	Terminal Gasket	9371514017		
34	Capacitor (Fan Motor)	9357965024			420	Capillary Assy	9369062001		
37	Running Capacitor	9703107023			477	Bell-Mouth	9359809012		
38	Capacitor Clamp	9360610010			527	Protection Net	9359844013		
39	Propeller Fan Assy	9359837015			549	Thermostat-Outdoor	9352553004		
41	Fan Motor Assy-Out	9600832011			653-1	Cup Screw	9385089020		
45-3	Motor Bracket-A	9369627002			734	Cabinet Top Panel	9359799023		
45-4	Motor Bracket-B	9369628009			744	Clamp (Condenser)	313166374106		
45-5	Motor Bracket-C	9369629006			754	Rubber Washer	9371992013		
45-6	Motor Bracket-D	9369630002			772	Joint Pipe-A Assy	9371502014		
46	Compressor Assy	9371505015			815-3	Terminal-8p	9358660119		
47-1	Rubber (Discharge Pipe)	313194159807			817	Thermostat Fixture	9352164019		
51	Flange NU7	9371515014			823-2	Fuse Holder	0500063024		
54	Condensing Pipe	9369061004			824-4	Fuse	0600222529		
55	Special Nut M8	9355091008			983	Thermostat Cover	9358274002		
58	Suction Pipe Assy	9369064005			989-1	Cord Clamp-A	9359822011		
64	Cabinet Left, Painted	9359840022			989-2	Cord Clamp-B	9359823018		
82-1	Check Joint	9360162007							

STANDARD ACCESSORIES

INDOOR UNIT ACCESSORIES

Name and Shape	Part No.
Wall hook bracket 	9367987009
Remote control unit 	9371190020 (AR-JW2)
Battery (penlight) 	0600185534
Remote control unit holder 	9305642014
Tapping screw (big) (ϕ 4 x 20) 	301141164200
Tapping screw (small) (ϕ 3 x 12) 	301141533125

OUTDOOR UNIT ACCESSORIES

Name and Shape	Part No.
Hexagon wrench 	9351228019
Cable clip 	313739340109
Tapping screw 	301463040100



Большая библиотека технической документации
<https://splitsystema48.ru/instrukcii-po-ekspluatácii-kondicionerov.html>
каталоги, инструкции, сервисные мануалы, схемы.